

## Crank handles

### Technopolymer

#### MATERIAL

Glass-fibre reinforced polyamide based (PA) technopolymer, grey-black colour, matte finish.

#### HUB CAP

- ECM.K: glass-fibre reinforced polyamide based (PA) technopolymer, in Elecolors colours, matte finish, press-fit assembly. Supplied. Available also as accessory sold separately (see table).

#### STANDARD EXECUTION

Black-oxide steel hub, H7 reamed hole.  
Revolving handle l.621+x (see page ) in technopolymer.

#### FEATURES AND APPLICATIONS

The reticular structure of the crank arm and the technopolymer used make this handle very strong and therefore suitable for transmitting high torque values.

#### ACCESSORIES ON REQUEST

- GN 184: axial retaining washer in black-oxide steel (see page ).
- ECM.K: glass-fibre reinforced polyamide based (PA) technopolymer hub cap, in Elecolors colours, matte finish, press-fit assembly (see table).

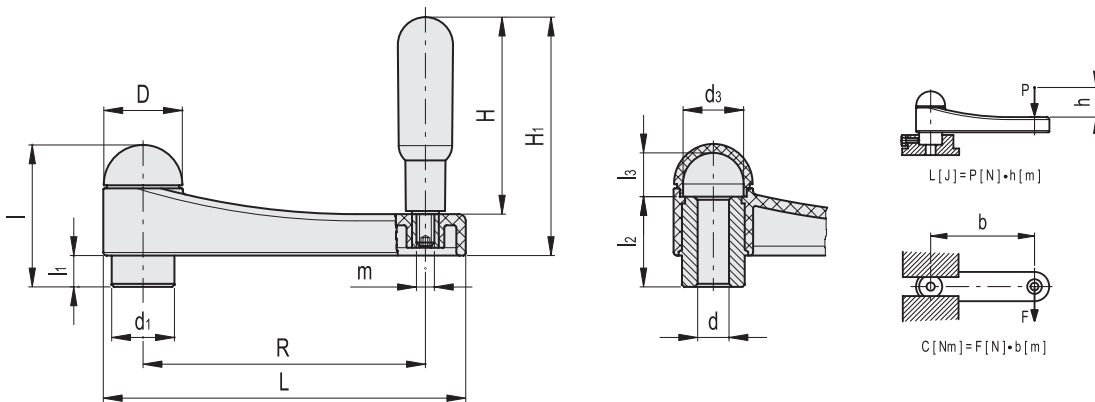


C1	C2	C3	C4	C5	C6
RAL7021	RAL2004	RAL7035	RAL1021	RAL5024	RAL3000

#### ECM.K

Code	Description	Hub cap for
29633-*	ECM.K3-*	EKH.100
29634-*	ECM.K4-*	EKH.125

\* Complete with colour index (C1, ..., C6).



\* Complete with colour index, example: 210241-C2 EKH.100 A-12-C2

C1	C2	C3	C4	C5	C6
RAL7021	RAL2004	RAL7035	RAL1021	RAL5024	RAL3000

Code	Description	R	dH7	L	D	d1	d3	l	l1	l2	l3	H	H1	m	C# [Nm]	L# [J]	⚖️
210241-*	EKH.100 A-12-*	101	12	131.5	30.5	24	23.5	52.5	10	33	17	65	81	M8	200	27	231
210251-*	EKH.125 A-14-*	126	14	161.5	35	28	26.5	62	14	40	18	80	98.5	M8	350	45	316

# For maximum applicable torque (C) and impact strength (L) see Technical data (on page ).